

# 37° FLARE TUBE FITTINGS

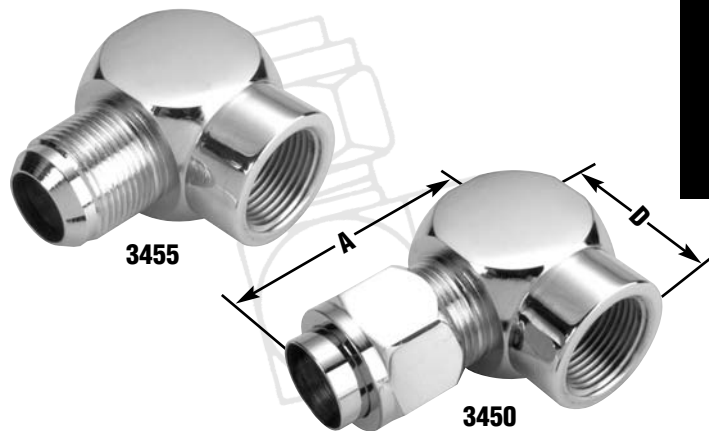
T A P E R E D P I P E T H R E A D

37° FLARE TUBE FITTINGS

## 3455 / 3450 • Female Elbow

Body Only Part No.	Complete Assem. Part No.	Tube O.D.	Female Pipe Thread	"A" (Tube Leg)	"D" (Female Pipe Leg)
3455-4-2	3450-4-2	1/4"	1/8"	17/16"	21/32"
3455-4-4	3450-4-4	1/4"	1/4"	19/16"	29/32"
3455-5-2	3450-5-2	5/16"	1/8"	115/32"	21/32"
3455-5-4	3450-5-4	5/16"	1/4"	119/32"	29/32"
3455-6-4	3450-6-4	3/8"	1/4"	111/16"	29/32"
3455-6-2	3450-6-2	3/8"	1/8"	117/32"	21/32"
3455-6-6	3450-6-6	3/8"	3/8"	125/32"	1"
3455-8-6	3450-8-6	1/2"	3/8"	115/16"	1"
3455-8-4	3450-8-4	1/2"	1/4"	127/32"	29/32"
3455-8-8	3450-8-8	1/2"	1/2"	131/32"	11/4"
3455-10-8	3450-10-8	5/8"	1/2"	21/4"	11/4"
3455-10-6	3450-10-6	5/8"	3/8"	25/32"	1"
3455-12-12	3450-12-12	3/4"	3/4"	215/32"	111/32"
3455-12-8	3450-12-8	3/4"	1/2"	21/4"	11/4"
3455-14-12	3450-14-12	7/8"	3/4"	29/16"	111/32"
3455-16-16	3450-16-16	1"	1"	215/16"	15/8"
3455-16-12	3450-16-12	1"	3/4"	219/32"	111/32"
3455-20-20	3450-20-20	1 1/4"	1 1/4"	35/32"	111/16"
3455-20-16	3450-20-16	1 1/4"	1"	229/32"	15/8"
3455-24-24	3450-24-24	1 1/2"	1 1/2"	331/32"	21/16"
3455-32-32	3450-32-32	2"	2"	413/32"	23/8"

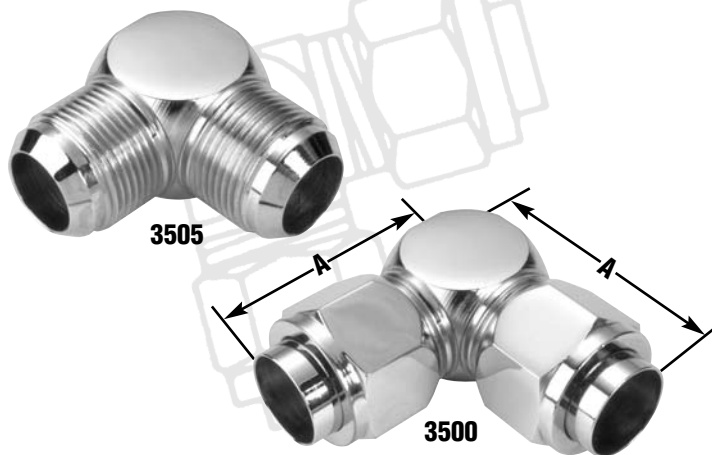
## 3455 / 3450 FEMALE ELBOW FLARE TUBE END - FEMALE PIPE END



## 3505 / 3500 • Elbow Union

Body Only Part No.	Complete Assem. Part No.	Tube O.D.	"A" (Tube Leg)
3505-4	3500-4	1/4"	19/32"
3505-5	3500-5	5/16"	13/8"
3505-6	3500-6	3/8"	117/32"
3505-8	3500-8	1/2"	125/32"
3505-10	3500-10	5/8"	23/32"
3505-12	3500-12	3/4"	21/4"
3505-14	3500-14	7/8"	27/16"
3505-16	3500-16	1"	219/32"
3505-20	3500-20	1 1/4"	229/32"
3505-24	3500-24	1 1/2"	37/16"
3505-32	3500-32	2"	43/16"

## 3505 / 3500 ELBOW UNION FLARE TUBE END - BOTH OPENINGS



## 3605 / 3600 • Male Branch Tee

Body Only Part No.	Complete Assem. Part No.	Tube O.D.	Male Pipe Thread	"A" (Tube Leg)	"D" (Male Pipe Leg)
3605-4-4-2	3600-4-4-2	1/4"	1/8"	19/32"	25/32"
3605-4-4-4	3600-4-4-4	1/4"	1/4"	113/32"	13/32"
3605-5-5-2	3600-5-5-2	5/16"	1/8"	13/8"	25/32"
3605-5-5-4	3600-5-5-4	5/16"	1/4"	17/16"	13/32"
3605-6-6-4	3600-6-6-4	3/8"	1/4"	117/32"	13/32"
3605-6-6-2	3600-6-6-2	3/8"	1/8"	117/32"	7/8"
3605-6-6-6	3600-6-6-6	3/8"	3/8"	121/32"	17/32"
3605-6-6-8	3600-6-6-8	3/8"	1/2"	123/32"	115/32"
3605-8-8-6	3600-8-8-6	1/2"	3/8"	125/32"	17/32"
3605-8-8-4	3600-8-8-4	1/2"	1/4"	125/32"	15/32"
3605-8-8-8	3600-8-8-8	1/2"	1/2"	115/16"	115/32"
3605-8-8-12	3600-8-8-12	1/2"	3/4"	21/32"	19/16"
3605-10-10-8	3600-10-10-8	5/8"	1/2"	23/32"	115/32"
3605-10-10-6	3600-10-10-6	5/8"	3/8"	23/32"	13/8"
3605-10-10-12	3600-10-10-12	5/8"	3/4"	27/32"	119/32"
3605-12-12-12	3600-12-12-12	3/4"	3/4"	21/4"	119/32"
3605-12-12-8	3600-12-12-8	3/4"	1/2"	21/4"	19/16"
3605-14-14-12	3600-14-14-12	7/8"	3/4"	27/16"	111/16"
3605-16-16-16	3600-16-16-16	1"	1"	219/32"	131/32"
3605-16-16-12	3600-16-16-12	1"	3/4"	219/32"	123/32"
3605-20-20-20	3600-20-20-20	1 1/4"	1 1/4"	229/32"	23/8"
3605-24-24-24	3600-24-24-24	1 1/2"	1 1/2"	37/16"	25/8"
3605-32-32-32	3600-32-32-32	2"	2"	43/16"	3"

## 3605 / 3600 MALE BRANCH TEE FLARE TUBE TWO ENDS - MALE PIPE SIDE OUTLET

